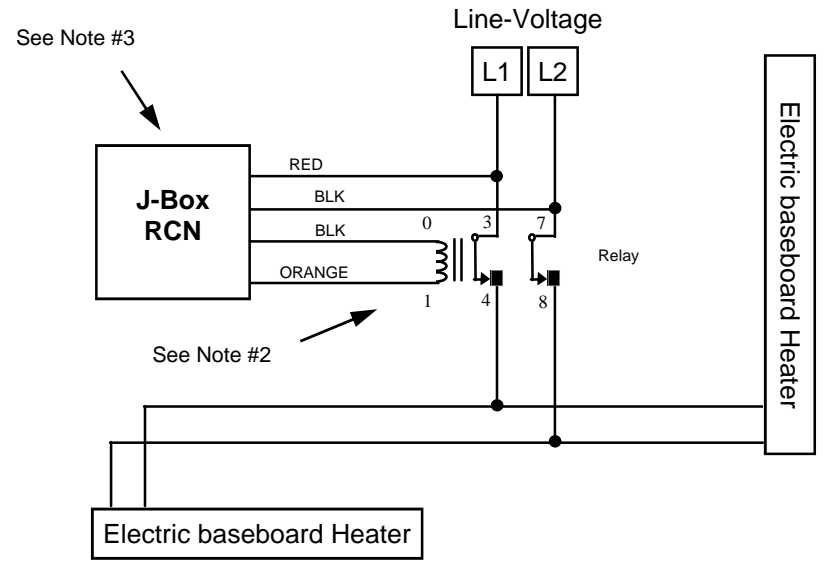


### Typical Application



- NOTES:**
1. Conduit connector is a Carlon P/N E943D 1/2" PVC - Make appropriate connection.
  2. Select a relay(s) such as P&B T92 series, with contact ratings appropriately sized for the electrical load being switched. Total relay coil current should not exceed 0.5A.
  3. J-box will switch line-voltage potential - Select relay coil voltage rating accordingly.
  4. Avoid completely shielding the J-box RCN inside sheetmetal.
  5. Secure by mounting flanges with screws or other appropriate fastening device.
  6. Follow all local and national electrical wiring codes and practices.

E N E R N E T C O R P O R A T I O N  
 307 DEWITTSHIRE ROAD  
 SYRACUSE, NEW YORK 13214  
 315-449-0839 VOICE  
 315-449-3056 FAX

| T9000 RF J-Box RCN |            |   |            |
|--------------------|------------|---|------------|
| SCALE:             | N/A        | DRAWING NO.:  | 10506      |
| DATE:              | 11-30-99   | DRAWN BY:   | B.J. Hesse |
| DESIGN BY:         | B.J. Hesse | c:\products\rf\thermostat\drawings\enclosure\encl.pub |            |